

HD 1080p DV Camcorder

Quick Start Guide | AHDVC03F



Introduction

Thank you for choosing Aluratek's® CINECAM HD 1080p DV Camcorder. In addition to making sure only quality materials are used for manufacturing, Aluratek® is also dedicated to provide the best customer satisfaction and support.

The goal of Aluratek is to embody **"Simple Elegance"** in every product it designs, manufactures and sells.

The product focus of Aluratek is to bring simple yet elegant connectivity solutions to the consumers to enhance their consumer electronics, communications and computing experience. Each product is carefully designed with the consumer in mind. Each product is solution-driven to address the need of the consumers and deliberately planned to provide the ultimate user experience.

Read this guide thoroughly and follow the installation and operation procedures carefully to prevent any damage to the unit and / or any of the devices it connects to.

Features and Requirements

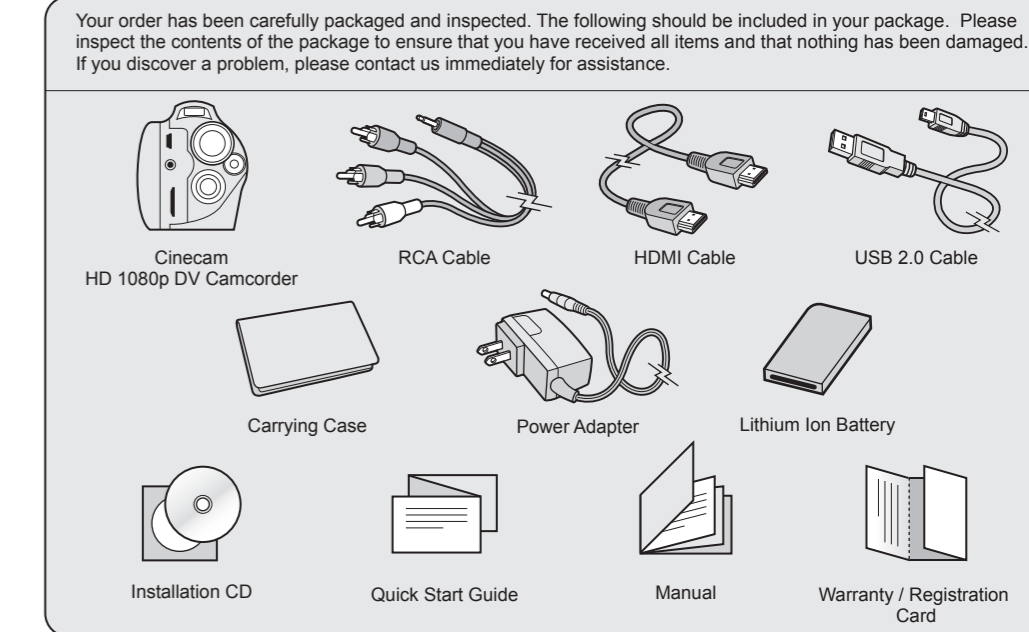
Features:

- Easy to use, hand held digital camcorder
- Simple user interface lets you start recording in seconds
- Connect to your computer to transfer your pictures and videos
- Expand the memory capacity up to 32GB with the SD / SDHC expansion card slot
- 5.0 Mega Pixels CMOS Sensor with 5X Optical Zoom & 20X Digital Zoom
- Color LTPS 3" Touch Screen LCD display
- 1080p (1920 x 1080) with sound / 30 FPS
- Built-in Lithium ion battery - up to two hours continuous use
- 1 Year Warranty

Requirements:

- Windows XP(SP2) / Vista / 7 OR Mac 10.4.9 or later
- Available USB / HDMI port / RCA port

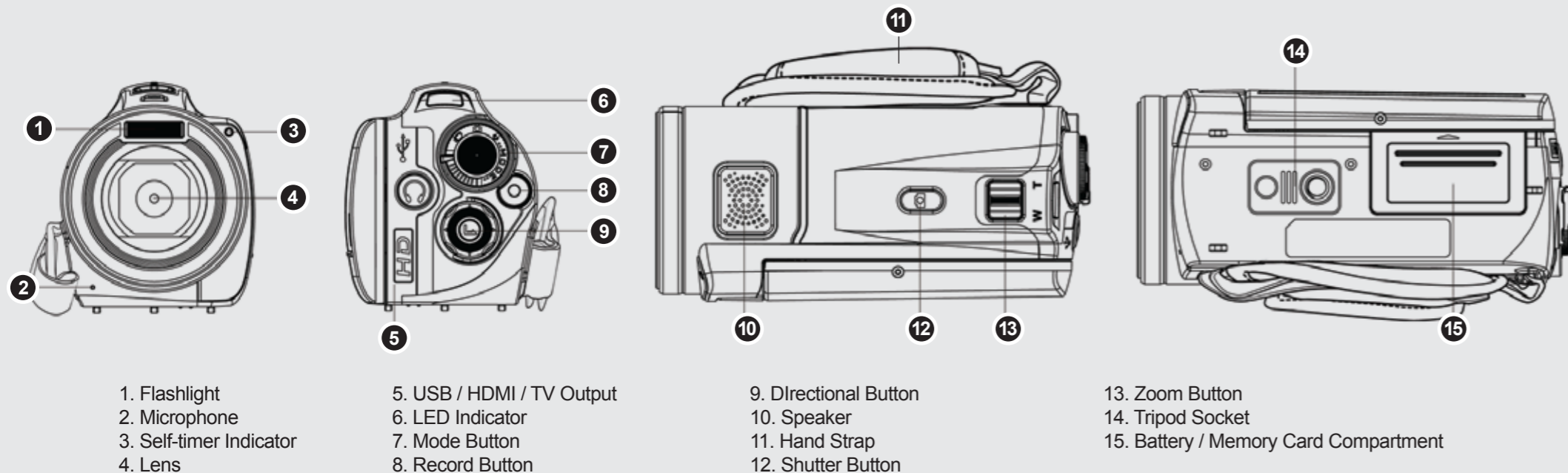
Package Contents



qsg Q10164 Copyright © 2010 Aluratek, Inc. All Rights Reserved.

aluratek.com

Product Highlights



1. Flashlight
2. Microphone
3. Self-timer Indicator
4. Lens

5. USB / HDMI / TV Output
6. LED Indicator
7. Mode Button
8. Record Button

9. Directional Button
10. Speaker
11. Hand Strap
12. Shutter Button

13. Zoom Button
14. Tripod Socket
15. Battery / Memory Card Compartment

Buttons and Functions

Description	Button	Function
Power Button		Press the button to Power ON / OFF AHDVC03F
SET (Menu) Button		Press the button to display the main OSD menu.
MODE Button		There are three operating modes for AHDVC03F: DV Mode, DSC Mode, and Voice Recording Mode. Rotate the Mode button to change to different modes.
4-Way Direction Button		Press the 4-Way Direction Button UP to Power on/off the flash light: off, auto, fill-in; press DOWN to delete the file when it's in Playback mode.

Description	Button	Function
Zoom button		AHDVC03F is equipped with, 4X Digital zoom (For 720p & below) and a 5X Optical Zoom function. Press the Zoom button Right (T) to pull in the distance of the subject, or press the button Left (W) to move away the distance from the object.
Shutter button		Press the button to take images.
Recording button		Press the button to take video clip and voice recording
Playback Button		Press the Playback button to enter Playback mode and playback the last file.

Photo Status Icons



1.	DSC Mode indicator	10.	Resolution indicator
2.	Night Mode indicator	11.	Backlight compensation
3.	EV compensation indicator	12.	Histogram indicator
4.	Effect indicator	13.	Playback Button
5.	Metering Mode	14.	Digital zoom indicator
6.	White balance indicator	15.	Menu Button
7.	Macro indicator	16.	Memory Status indicator
8.	Battery indicator	17.	Continuous Shot Mode
9. 0003	Number of pictures left	18.	Self-timer indicator

Video Status Icons



1.	DSC Mode indicator	10. 00:00:00	Remaining recording time
2.	Motion Detection	11. HD	Resolution indicator
3.	Night Mode indicator	12.	Compensation indicator
4.	EV compensation indicator	13.	Histogram indicator
5.	Effect indicator	14.	Playback indicator
6.	Metering Mode	15.	Digital Zoom indicator
7.	White balance indicator	16.	Menu Button
8.	Macro indicator	17.	Memory Status indicator
9.	Battery indicator	18.	Multi shot

Operating Instructions

STEP 1. Installing the Battery:

The battery is not fully charged and must be fully charged before first use. It is recommended to charge the battery for a minimum of 2 hours.

1. Open the battery cover.
2. Insert the Lithium-ion rechargeable battery into the camera.
3. Replace the battery cover.

STEP 2. Inserting a Memory Card (not included)

Follow the instructions below to insert the optional SD / SDHC memory card into the camera.

1. Turn off the camera.
2. Insert the SD card into the camera.

Note: There is only one correct direction to insert the SD memory card into the slot. Do not force the card into the slot, or else it may damage both the camera and the SD memory card.

STEP 3. Setting the Resolution:

AHDVC03F can be set to different resolutions.

VIDEO

1. Power on AHDVC03F and make sure it is in the DV Mode.
2. Press SET (Menu) Button and press the 4-Way Direction Button to highlight the Resolution item. Press SET (Menu) Button to display submenu; or touch the screen to select the item.
3. Press 4-Way Direction Button to select FHD, HD, WVGA or WEB. Press SET (Menu) Button to confirm; or touch the screen to select the item.

STILL IMAGE RESOLUTION

1. Power on AHDVC03F and make sure it is in the DSC Mode.
2. Press SET (Menu) Button and move the 4-Way Direction Button to highlight the Resolution item. Press SET (Menu) Button to display submenu; or touch the screen to select the item.
3. Press 4-Way Direction Button to select 12M, 8M, 5M or 3M. Press SET (Menu) Button to confirm; or touch the screen to select the item.

STEP 4. Taking Video or Photographs:

SHOOTING A VIDEO CLIP

1. Power on AHDVC03F and make sure it is in the DV Mode.
2. Press the Recording button to start or stop recording.
3. The Digital Video Camera will store the Video clip automatically.
4. LCD screen ratio will be different depending on the setting of Video Clip resolution.

TAKING A PICTURE

1. Power on AHDVC03F and adjust the Mode Button to DSC Mode.
2. Press Shutter Button to capture images.

STEP 5. Playback Photographs / Videos Clips:

1. In Video/Voice Recording Mode, press Playback Button to display recently stored file on the LCD screen.
2. Press 4-Way Direction Button up/down, left/right to view the stored file. Press SET (Menu) Button to playback or touch the screen to select Playback of the file.

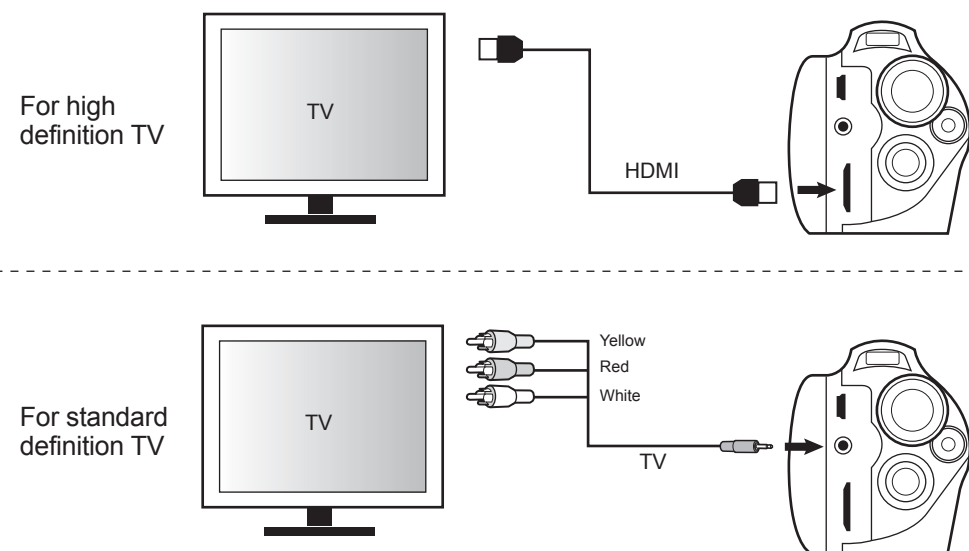
3. To pause the Playback of file, press the Recording button or touch the screen icon (▶ / ⏸).
4. Press the Playback Button to return to Video/Voice Recording Mode.
5. You can also playback the video clip in different speed by touching (ON/OFF) the screen icon (⏮).

STEP 6. Delete Video Clips:

1. Power on AHDVC03F and make sure it is in the Video/Voice Playback Mode.
2. Press SET (Menu) Button and move the 4-Way Direction Button to highlight the Delete item. Press SET (Menu) Button to display submenu; or touch the screen to select the item.
3. Use 4-Way Direction Button to select Delete One or Delete All. Press SET (Menu) Button to confirm; or touch the screen to select the item.
4. Press 4-Way Direction Button to select "O" Yes or "X" NO. Press SET (Menu) Button to confirm; or touch the screen to select the item.

Note: The file cannot be recovered once it is deleted. Therefore, please make sure you have backed up the file before Delete. Protect files cannot be deleted. Before delete, you must unlock the file.

Connect to TV



Connect to Computer

Software Installation:

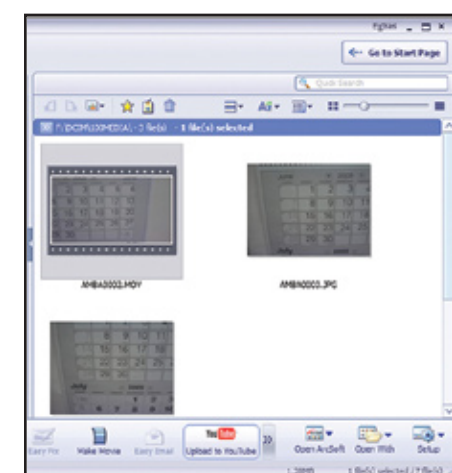
1. Insert CD to your computer.
2. Select "Arcsoft Total Media Extreme"
3. Follow the onscreen instruction to install the software.

Connect to computer:

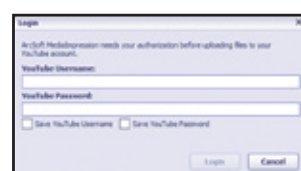
1. Power on AHDVC03F.
2. Connect AHDVC03F to the USB port on your computer using the included USB cable.
3. AHDVC03F will appear on your computer as a "Removable Drive" in "My Computer".
4. You can manage your pictures/videos using the Medialmpression software or click on the "Removable Drive" directly.

How to upload to Youtube from Medialmpression:

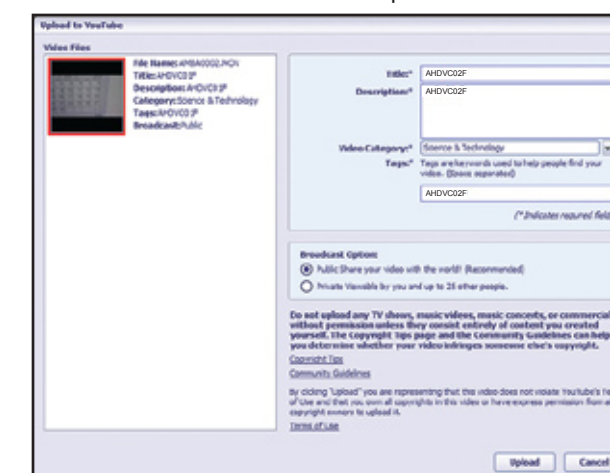
1. Select the video that you like to upload
2. Click on the YouTube icon in menu bar



3. Complete your YouTube account information



4. Fill in the video info and click "Upload"



Troubleshooting

Problem	Cause	Solution
Can not power on the unit	Low battery power. Battery placed at wrong polarities.	Replace or install the battery correctly.
Photos can not be saved when taking pictures.	The memory card hasn't been formatted correctly or memory is full.	If the memory is full, use a different memory card. Format the memory card if it was not formatted. <i>Warning: Format will erase everything on the card.</i>
Can not find removable disk after connecting the camera to the computer.	Connection failure.	Make sure all cable connections are secured and restart the computer if necessary.
Photos are blurry	1. AHDVC03F is not held steadily 2. AHDVC03F lens is dirty. 3. AHDVC03F is set to the wrong focus mode.	1. Hold AHDVC03F steadily until it beeps when taking video photo. 2. Clean the lens with soft dry cloth. 3. Set the macro/normal mode according to the distances of subject.

If you need further assistance, please contact the Aluratek support department for troubleshooting prior to returning this device.

E-mail: support@aluratek.com
Web: www.aluratek.com/support

Local (Tustin, CA): 714-586-8730
Toll free: 1-866-580-1978

Radio and TV Interference Statement

WARNING!!! This equipment has been tested and found to comply with the limits of a Class B digital device, pursuant to part 15 of the FCC rules. These limits are designed to provide reasonable protection against harmful interference in a residential installation.

This equipment generates, uses and can radiate radio frequency energy and, if not installed and used in accordance with the instruction, may cause harmful interference to radio communications. However, there is no guarantee that interference will not occur in a particular installation. If this equipment does cause harmful interference to radio or television reception, which can be determined by turning the equipment off and on, the user is encouraged to try to correct the interference by whatever measures may be required to correct the interference.

Warranty

Aluratek warrants this product against defect in material or workmanship for **1 Year** from the date of purchase.

This warranty becomes invalid if the factory-supplied serial number or "warranty void" sticker has been removed or altered on the product.

This warranty does not cover:

- A) Cosmetic damage or damage due to acts of God
- B) Accident, misuse, abuse, negligence or modification of any part of the product.
- C) Damage due to improper operation or maintenance, merchantability, or fitness for, or attempted repair by anyone other than Aluratek.
- D) Products sold AS IS or WITH FAULTS.

IN NO EVENT SHALL ALURATEK'S LIABILITY EXCEED THE PRICE PAID FOR THE PRODUCT FROM DIRECT, INDIRECT, SPECIAL, INCIDENTAL, OR CONSEQUENTIAL DAMAGES RESULTING FROM THE USE OF THE PRODUCT, IT'S ACCOMPANYING SOFTWARE, OR IT'S DOCUMENTATION.

Aluratek makes no warranty or representation, expressed, implied, or statutory, with respect to it's products, contents or use of this documentation and all accompanying software, and specifically disclaims it's quality, performance, merchantability, or fitness for any particular purpose. Aluratek reserves the right to revise or update it's product, software or documentation without obligation to notify any individual or entity.